



***HAWK
TECHNOLOGY
LTD.***

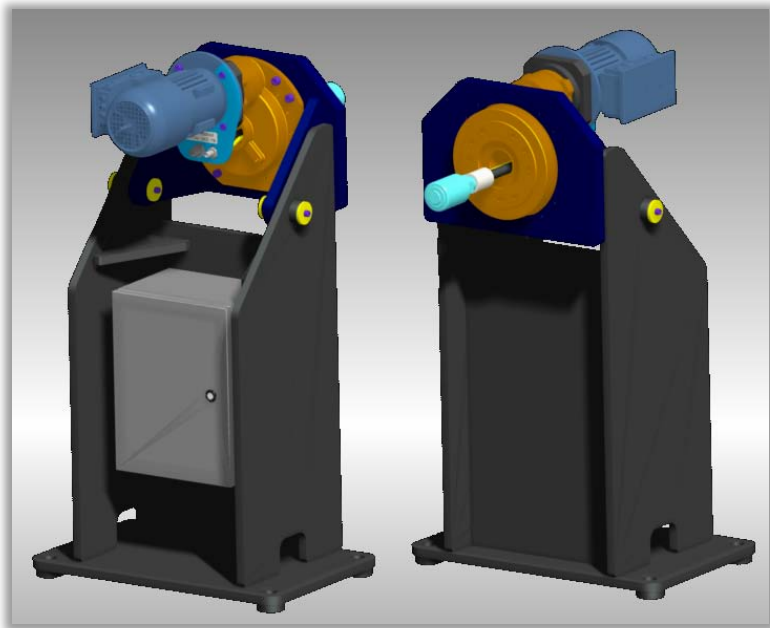
Standard Trunnion Line

POWERED TRUNNION SET - OFFSET MOTOR

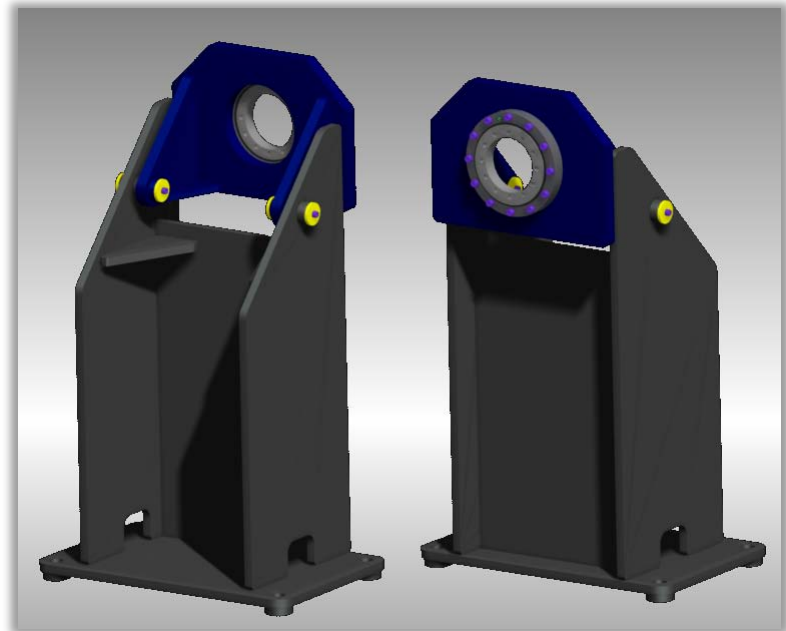
Description	Part Number	Style	Support Type	Max Radial Load	Center Thru Hole
Powered Head Stock	HT-TRPO-XX ¹	Offset Motor-Pivot Head	Planetary Gearbox ²	3000 lb (6000 lb w/tail stock)	Yes
Tail Stock	HT-TRT-XX ¹	Pivot Head	Mounted Bearing	3000 lb (6000 lb w/head stock)	Yes
				Max Pressure Rating	
Supply Assembly	HT-TR-HS ³	Hydraulic - Dual Feed		3000 psi	
	HT-TR-PS ³	Pneumatic - Single Feed		1000 psi	

¹ XX = Specify floor to centerline height in 1" increments; Range: 32" - 48"
² <1 Arc-Min Backlash; Gear Ratio: 258:1; Rotational Torque: 700 ft-lbs w/ 1 hp motor; Rotational Speed: 5.3 RPM @ 50 Hz
³ Designed for mounting to motor plate of offset powered trunnion styles

OFFSET POWERED HEAD STOCK HT-TRPO



TAIL STOCK HT-TRT



Above shown with optional hydraulic supply HT-TR-HS



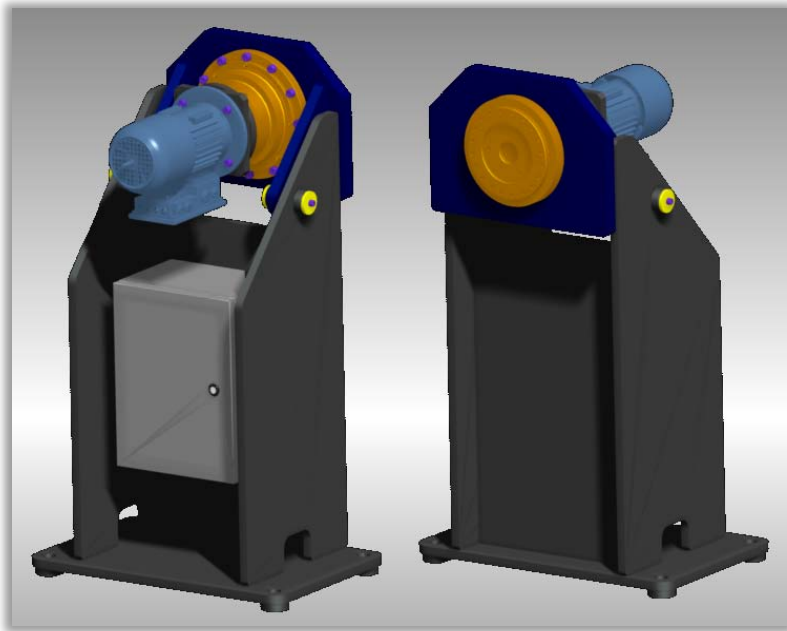
POWERED TRUNNION SET - INLINE MOTOR

Description	Part Number	Style	Support Type	Max Radial Load	Center Thru Hole
Powered Head Stock	HT-TRPI-XX ¹	Inline Motor-Pivot Head	Planetary Gearbox ²	3000 lb (6000 lb w/tail stock)	No
Tail Stock	HT-TRT-XX ¹	Pivot Head	Mounted Bearing	3000 lb (6000 lb w/head stock)	Yes

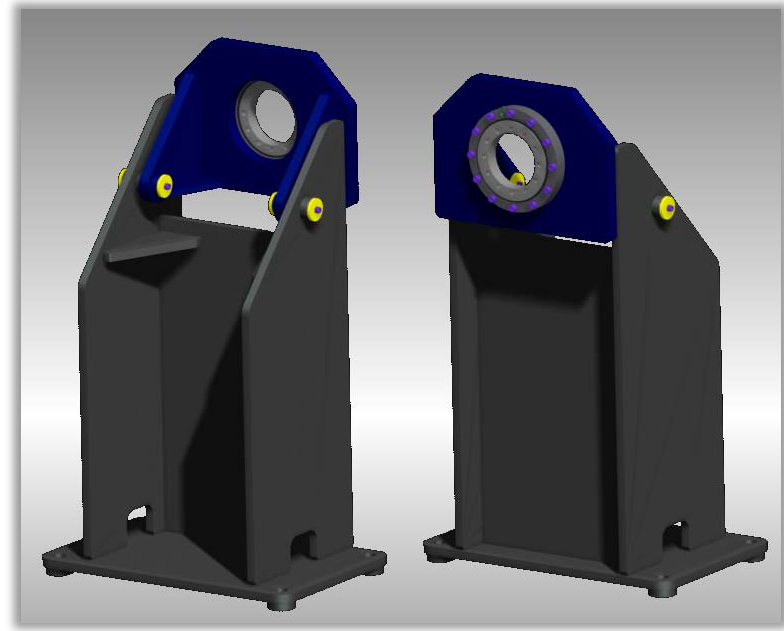
¹XX = Specify floor to centerline height in 1" increments; Range: 32" - 48"

²<1 Arc-Min Backlash; Gear Ratio: 171:1; Rotational Torque: 600 ft-lbs w/ 1 hp motor; Rotational Speed: 8.1 RPM @ 50 Hz

INLINE POWERED HEAD STOCK HT-TRPI



TAIL STOCK HT-TRT

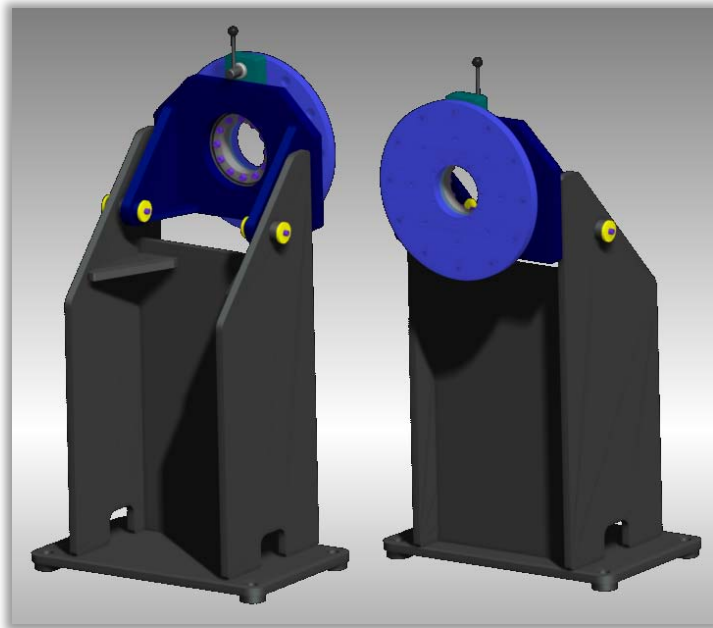


MANUAL TRUNNION SET - LOCK PIN INDEXING

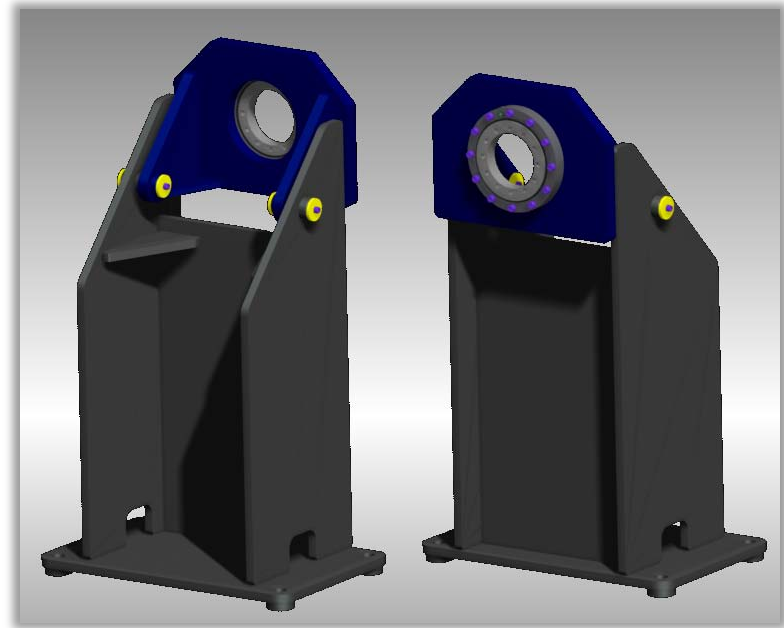
Description	Part Number	Style	Support Type	Max Radial Load	Center Thru Hole
Manual Head Stock	HT-TRLP-XX ¹	Manual Lock Pin-Pivot Head	Mounted Bearing	3000 lb (6000 lb w/tail stock)	Yes
Tail Stock	HT-TRT-XX ¹	Pivot Head	Mounted Bearing	3000 lb (6000 lb w/head stock)	Yes

¹XX = Specify floor to centerline height in 1" increments; Range: 32" - 48"

MANUAL LOCK PIN HEAD STOCK HT-TRLP



TAIL STOCK HT-TRT



CANTILEVER TRUNNIONS

Description	Part Number	Style	Support Type	Max Radial Load / Moment Load	Center Thru Hole
Powered Head Stock	HT-TRCPO-XX ¹	Offset Motor-Cantilever	Planetary Gearbox ²	3000 lb / 1800 ft-lb	Yes
Powered Head Stock	HT-TRCPI-XX ¹	Inline Motor-Cantilever	Planetary Gearbox ³	3000 lb / 2890 ft-lb	No
Manual Head Stock	HT-TRCLP-XX ¹	Manual Lock Pin-Cantilever	Mounted Bearing	3000 lb / 4400 ft-lb	Yes
				Max Pressure Rating	
Supply Assembly	HT-TR-HS ⁴	Hydraulic - Dual Feed		3000 psi	
	HT-TR-PS ⁴	Pneumatic - Single Feed		1000 psi	

¹ XX = Specify floor to centerline height in 1" increments; Range: 32" - 48"

² <1 Arc-Min Backlash; Gear Ratio: 258:1; Rotational Torque: 700 ft-lbs w/ 1 hp motor; Rotational Speed: 5.3 RPM @ 50 Hz

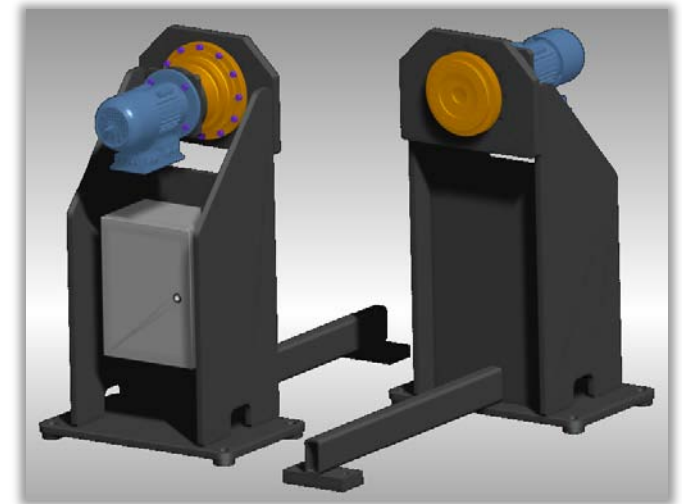
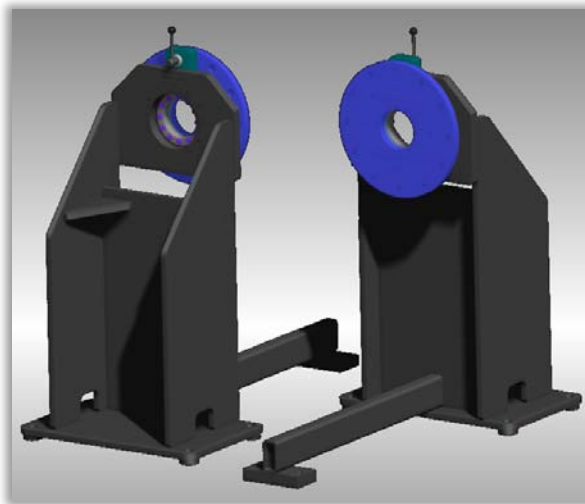
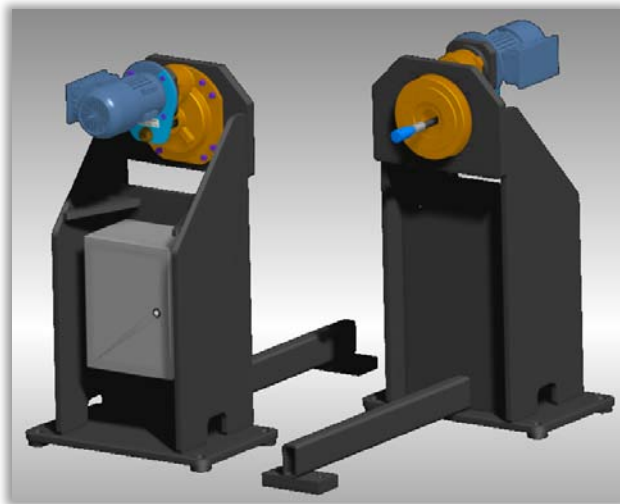
³ <1 Arc-Min Backlash; Gear Ratio: 171:1; Rotational Torque: 600 ft-lbs w/ 1 hp motor; Rotational Speed: 8.1 RPM @ 50 Hz

⁴ Designed for mounting to motor plate of offset powered trunnion styles

**OFFSET POWERED CANTILEVER
HEAD STOCK HT-TRCPO**

**MANUAL LOCK PIN CANTILEVER
HEAD STOCK HT-TRCLP**

**INLINE POWERED CANTILEVER
HEAD STOCK HT-TRCPI**



*Above shown with optional
pneumatic supply HT-TR-PS*

